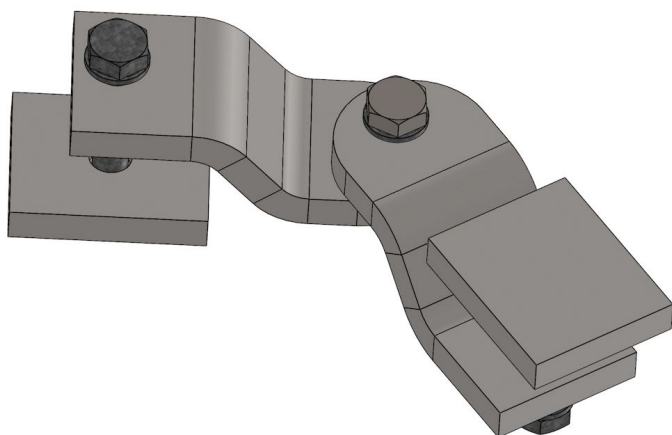


## Overview

# Square tube elbow connector 50x50 - PU = 10 pcs

Product number: 38020642



## Description

A functional square tube elbow connector. Thanks to its easy -to- handle stick-system there is no need to weld square tubes. This component provides higher stability and quicker mounting. Pre-construction of the elbow connector and the tube can be done down on the ground. Precise adjusting can be finished at the mounting position. The elbow connector can be set under any angle.

This square tube elbow connector is exclusively developed to be used with TGU-square tubes.