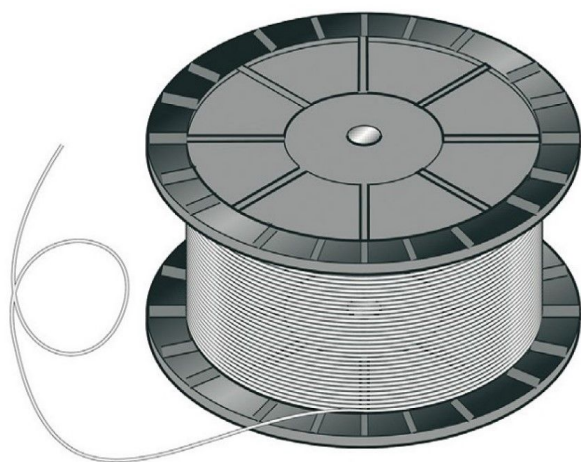


## Overview

# Poly -wire, black

**Product number:** 40102004



## Description

This poly wire is highly UV-resistant. Therefore it is suitable for greenhouses with a high UV-penetrability. It can be used as support wire for lay flat shading systems or as an attachment wire for fabric-stripes.

Material: Polyester