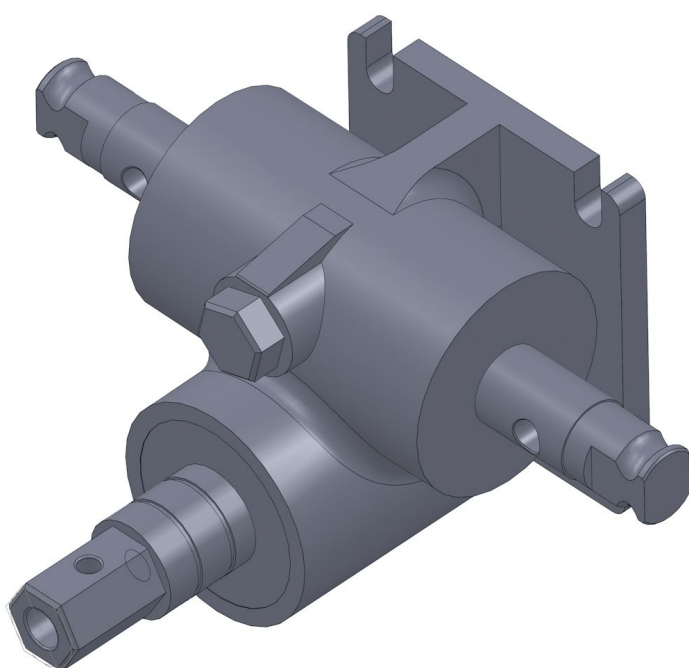


Overview

Manual Gear R17E-TGU for small application - with locking device - 1:16

Product number: 25000501



Kurbel nicht
enthalten
Crank not
included

Description

This manual gear perfectly fits the needs of smaller shading and ventilation systems. It is equipped with a coupling which can be directly bolted to the TGU telescopic shaft or another drive shaft.

Created at 14.03.2025.

* Our offers are directed exclusively to companies. We do not conclude contracts with consumers. All prices excl. VAT plus shipping costs and possible delivery charges, if not stated otherwise.



Fiberlane LLC - 9254
Richmond Road - 18013
Bangor, PA

Tel.: +1 610 498 447 4
Fax.: +1 610 498 2602

email:
info(at)fiberlanellc.com

The drive gets delivered with a matching hand-crank.

On your request this gear can be also delivered with an extended hand-crank or with a hook for drives that are placed very high and therefore can not be reached directly.

Combined with our chain wheel even gears that are placed very high can be reached.