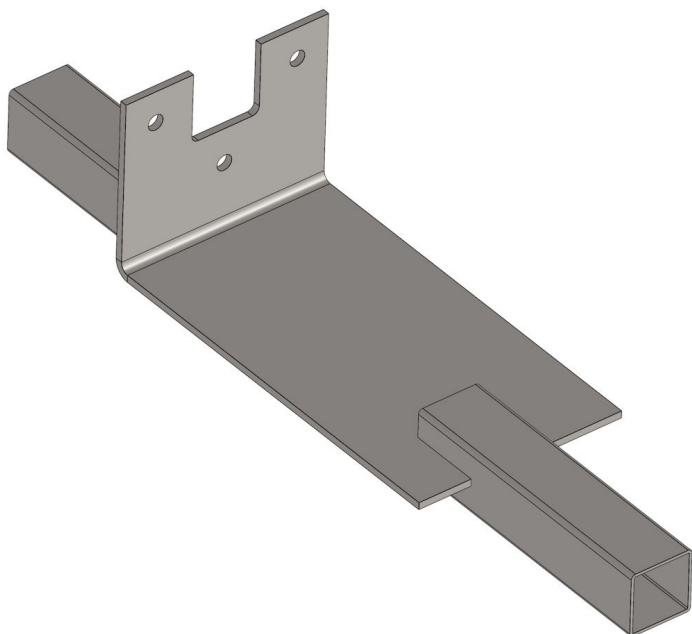


Overview

Motor mount TGU S 400.600 RW 200 - 600 for motor gearbox RW 200 - 600 (square tube Vierkantrohr 50x50) - for suspended shading systems

Product number: 32135500



Description

The motor mount puts the drive shaft into the perfect position for the drive system. This model is suitable for suspended shading systems and makes installation easy, because there is no need to place drive shaft manually. The square tubes can directly be inserted onto the motor mount during construction.

The motor mount is compatible with the gear motor RW 200, 400 and 600

Material: Galvanized steel