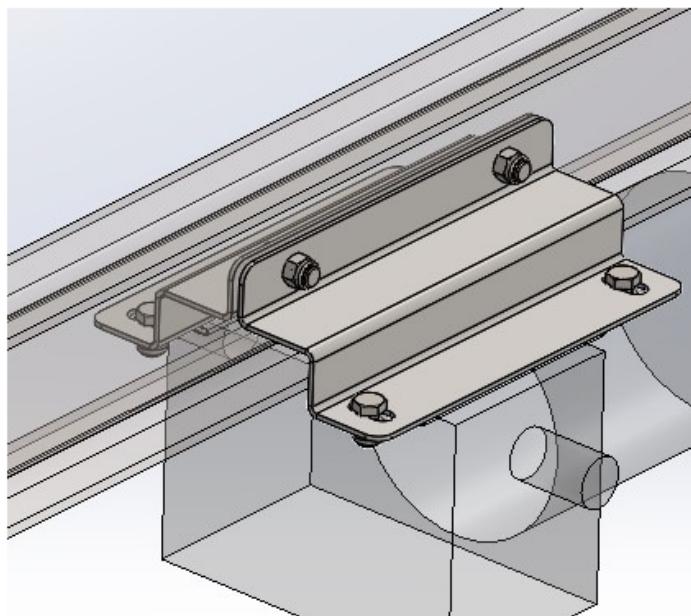


Overview

Motor console for EWA 10+12

Product number: 25250029



Description

With this motor bracket, you can use an EWA10 or EWA12 motor for your ventilation drive in continuous ridge ventilations. very easily on IP supports.

Screwing on the saves you tedious and dangerous welding work on the IP support. girder. It is only necessary to drill two holes through the motor bracket. Tolerances are compensated for by elongated holes in the motor bracket.

Created at 14.03.2025.

* Our offers are directed exclusively to companies. We do not conclude contracts with consumers. All prices excl. VAT plus shipping costs and possible delivery charges, if not stated otherwise.